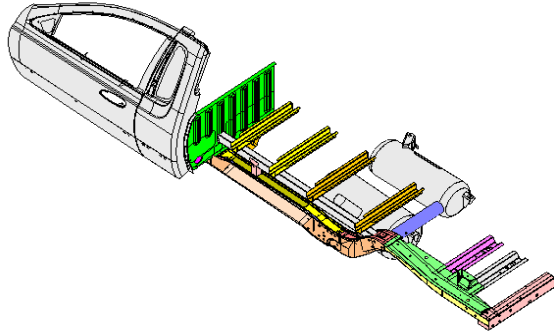


# CASE STUDY

## TJ Andrews Funeral Services



### COMPANY

- TJ Andrews: supply funeral services, sell hearses

### CHALLENGE

- Reduced capital, increased payload, new vehicle modification system, hybrid Australian manufacture for new market seller and on road certification.

### LC PROVIDED

- Unique chassis and light weight pod system design, guaranteed warranty life through endurance testing and QC systems. Vehicle Certification.



- Low capital outlay @ model change, reduced fuel cost/carbon footprint.

RESULT

